



**LUCCI**  
**AIRFUSION CAROLINA**  
**CEILING FAN**

- **INSTALLATION**
- **OPERATION**
- **MAINTENANCE**
- **WARRANTY INFORMATION**

**CAUTION**  
**READ INSTRUCTIONS CAREFULLY FOR SAFE**  
**INSTALLATION AND FAN OPERATION.**

**CONTENTS**

**GB** Installation instruction manual ..... 3



This fan is suitable for indoor use only.

**GB****THANK YOU FOR PURCHASING**

Thank you for purchasing this quality Lucci product. To ensure correct function and safety, please read and save all instructions before using the product.

**SAFETY PRECAUTIONS**


The information contained in the following pages has been prepared to ensure you of trouble-free operation of your ceiling fan.

1. In Europe: This appliance can be used by children aged from 8 years and above and persons with reduced physical, sensory or mental capabilities or lack of experience and knowledge if they have been given supervision or instruction concerning use of the appliance in a safe way and understand the hazards involved. Cleaning and maintenance shall not be undertaken by children without supervision.
2. In Australia: This appliance is not intended for use by young children or infirm persons unless they are adequately supervised by a responsible person to ensure that they can use the appliance safely.
3. Children should be supervised to ensure that they do not play with the appliance.
4. An all-pole disconnection switch must be incorporated into the fixed wiring, in accordance with local wiring rules.

**WARNING: FOR SAFE USE OF THIS FAN AN ALL-POLE DISCONNECTION SWITCH MUST BE INCORPORATED INTO THE FIXED WIRING.**

**This is in accordance with the latest standard AS/NZS3000.**

Please note warranty will be void if installed without an all-pole disconnection switch.

5. Do not dispose of electrical appliances as unsorted municipal waste, use separate collection facilities. Contact your local government for information regarding the collection systems available. If electrical appliances are disposed of in landfills or dumps, hazardous substances can leak into the groundwater and get into the food chain, damaging your health and well-being. 
6. The structure to which the fan is to be mounted must be capable of supporting a weight of 30kg.
7. The fan should be mounted so that the blades are at least 2.3 metres above the floor in Europe or 2.1 metres above the floor in Australia
8. This fan is designed for indoor use only. Mounting the fan in a location where it is subject to water or moisture is dangerous and will void the warranty.
9. Only a licensed electrician should execute the installation.



## BEFORE INSTALLATION

Unpack the fan and carefully identify the parts. Please refer to Fig 1.

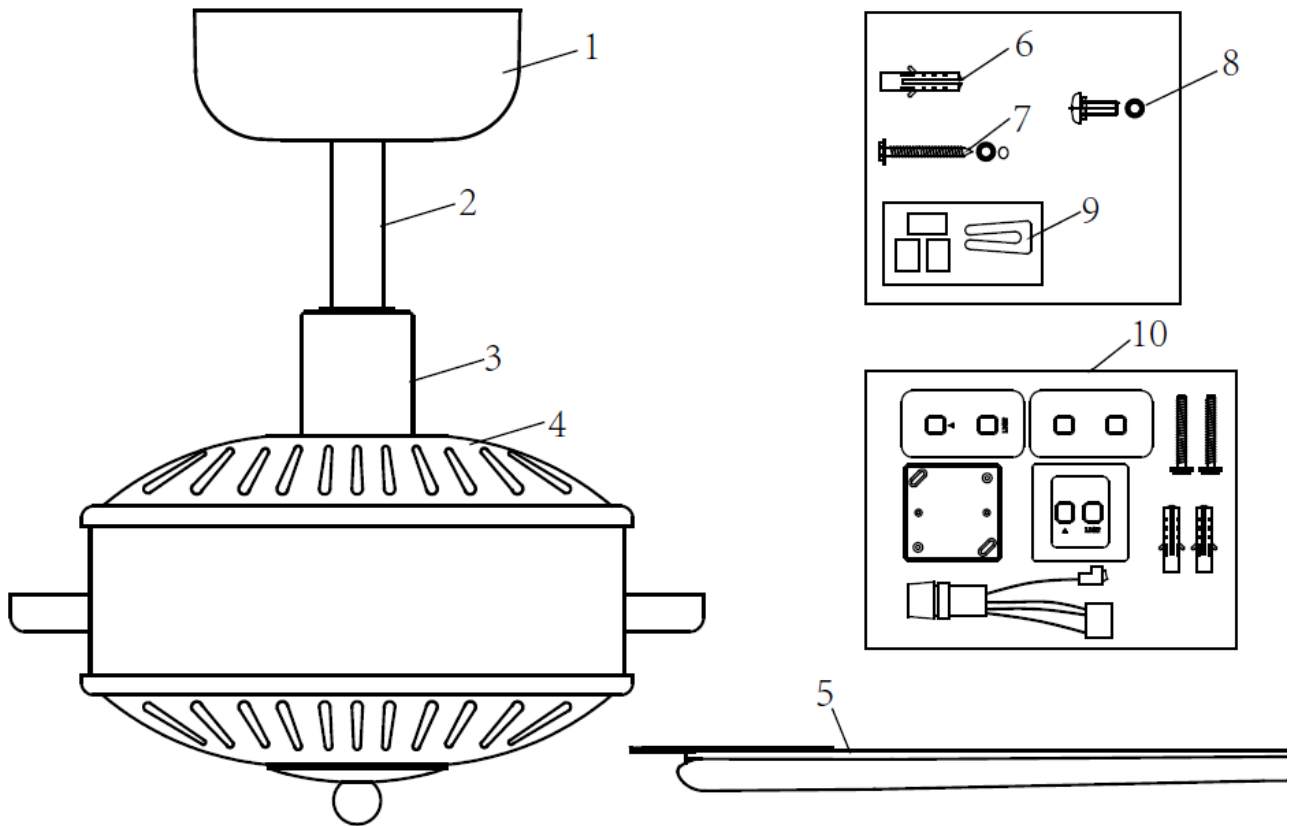


Fig. 1

- 1 Canopy x 1
- 2 Down rod x 1
- 3 Coupling cover x 1
- 4 Motor assembly x 1
- 5 Blades assembly x 3
- 6 Plastic anchors x 2
- 7 Wood screws x 2
- 8 Blades screws x 10
- 9 Balance kit x 1 set
- 10 Wall switch with mounting screws x 1 set



**INSTALLING THE MOUNTING BRACKET**

- The ceiling fan must be installed in a location so that the blades are a minimum 300mm spacing from the tip of the blade to the nearest objects or walls.
- Secure the hanging bracket to the ceiling joist or structure that is capable of carrying a load of at least 30kg, with the two long screws provided. Ensure at least 30mm of the screw is threaded into the support.

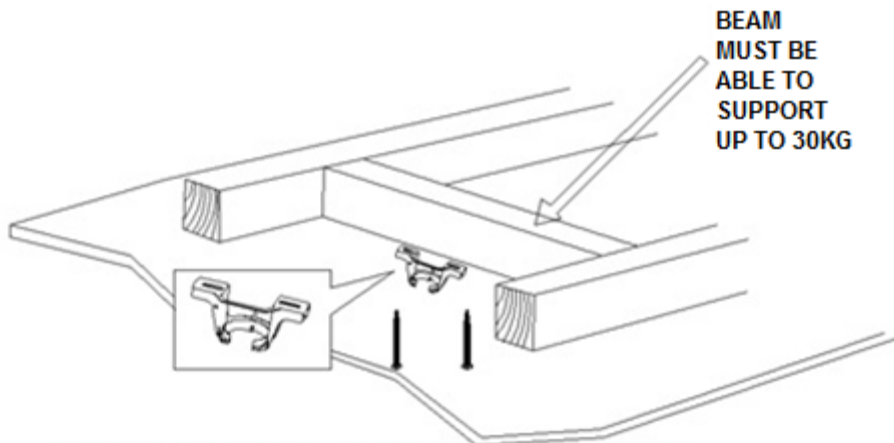


Fig. 2

**NOTE: THIS PICTURE IS FOR REPRESENTATION ONLY AND DOES NOT REPRESENT THE ACTUAL BRACKET**

**NOTE: The bracket screws provided are for use with wooden structures only. For structures other than wood, the appropriate screw type MUST be used.**

**Angled Ceiling Installation**

This fan hanging system supports a maximum 18 degree angled ceiling installation.

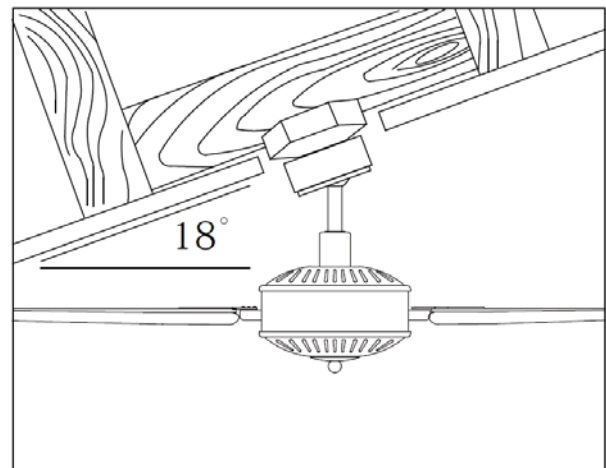


Fig. 3

### HANGING THE FAN

- Lift the fan assembly onto the mounting bracket. Ensure the registration slot of the hanger ball is positioned on the stopper of the mounting bracket to prevent the fan from rotating when in operation. (Fig.4)

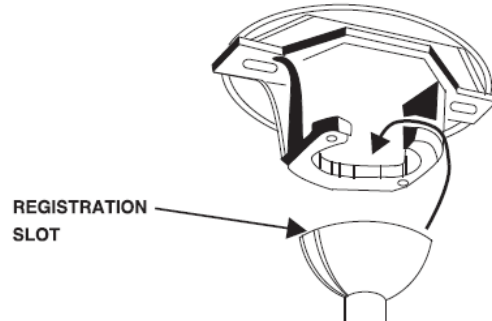


Fig. 4

### BLADE INSTALLATION

#### Blade attachment

- Align the 3 holes of the blade (3) to the fan motor assembly (1).
- Secure the blade with 3 blade screws and lock washers (2) provided.
- Follow the same process for the remaining two blades. (Fig.5)

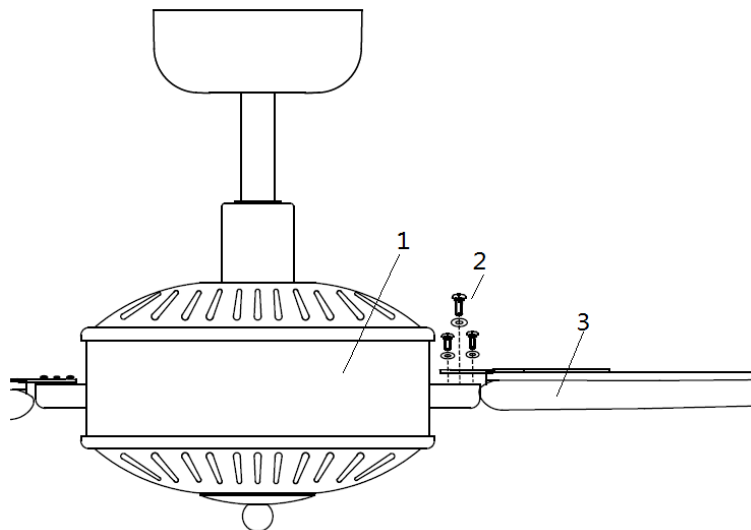


Fig. 5

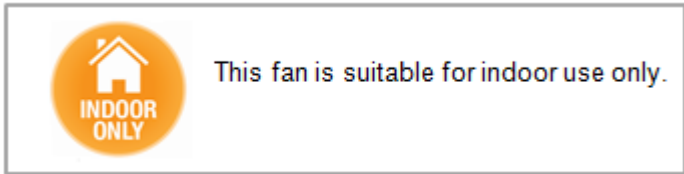
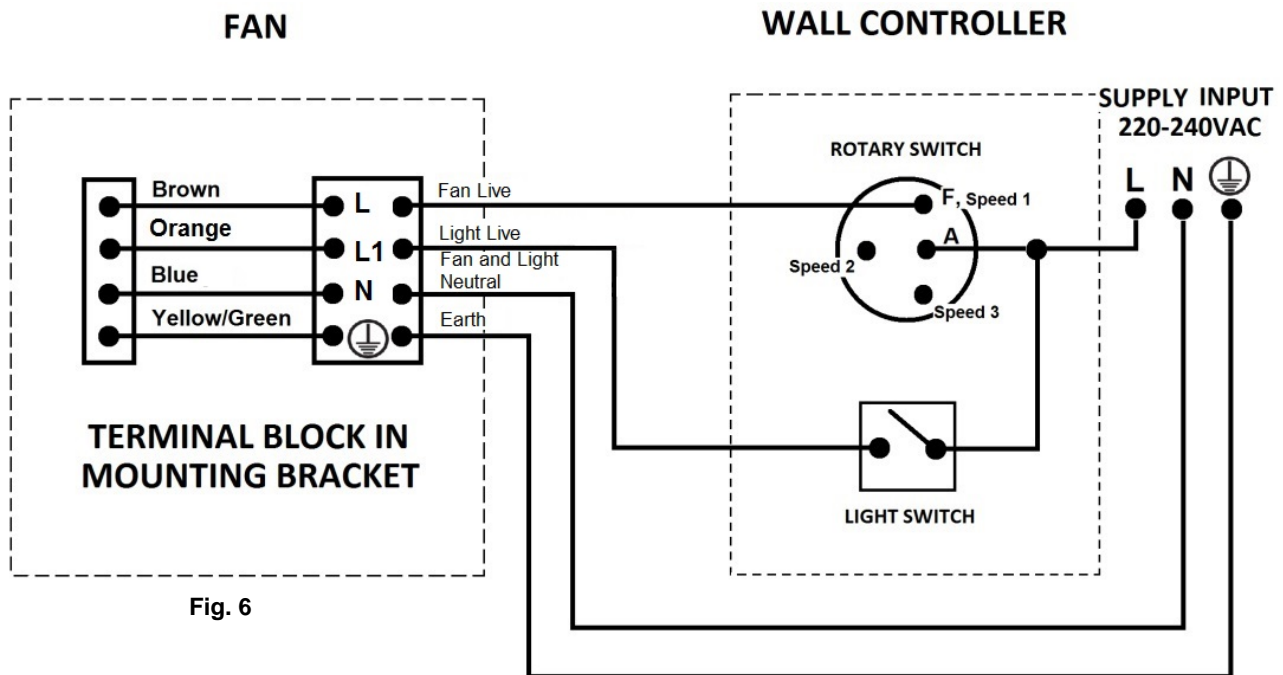


**ELECTRICAL WIRING DIAGRAM**

**WARNING:** FOR YOUR SAFETY ALL ELECTRICAL CONNECTIONS MUST BE UNDERTAKEN BY A LICENSED ELECTRICIAN.

**NOTE:** AN ADDITIONAL ALL POLE DISCONNECTION SWITCH MUST BE INCLUDED IN THE FIXED WIRING.

**USE WITH WALL SWITCH WIRING DIAGRAM:**



**USE WITH REMOTE WIRING DIAGRAM: (REMOTE sold separately)**

**1/ Remote without plugs**

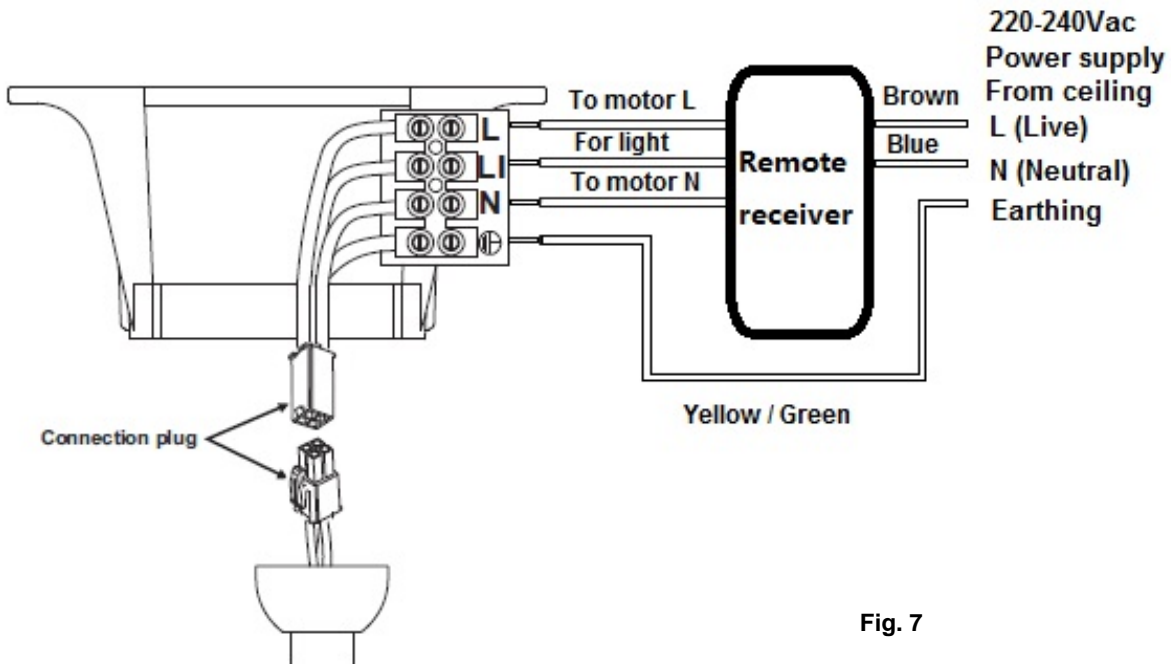


Fig. 7

**2/ Remote with plugs**

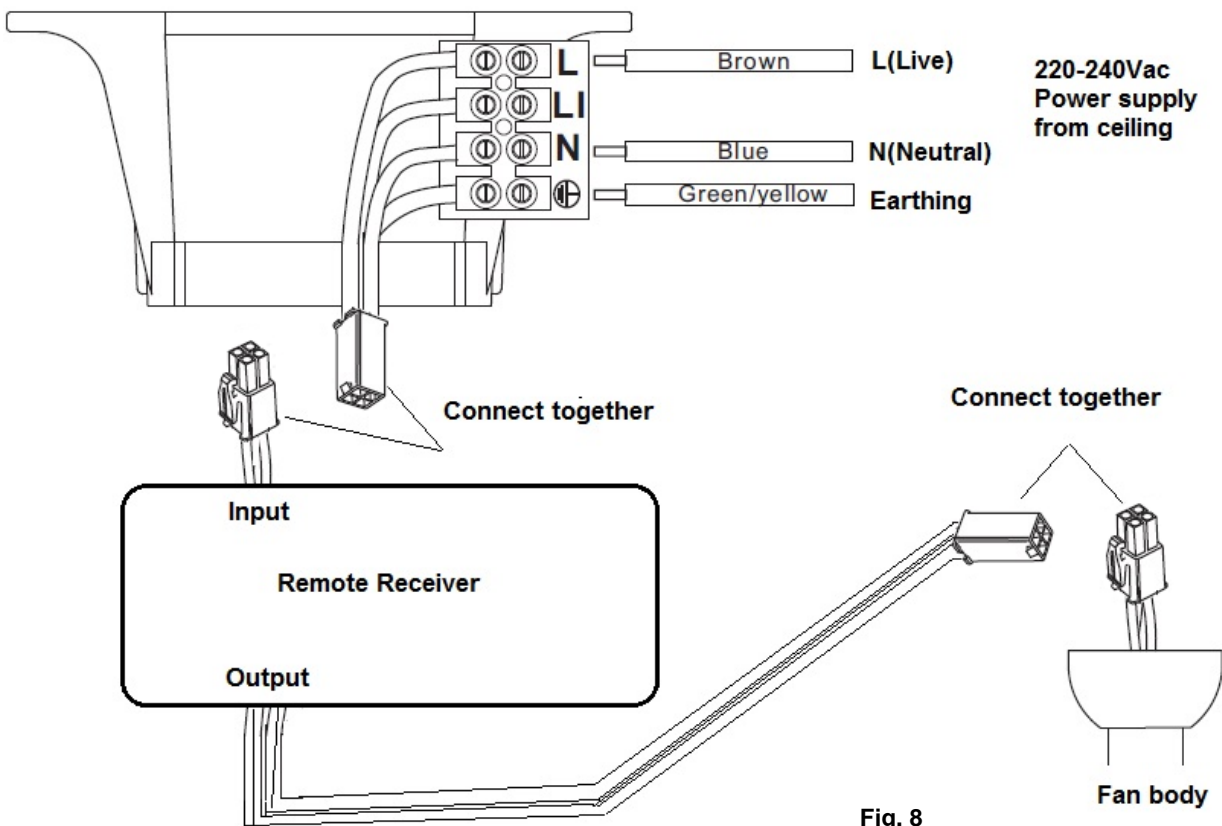


Fig. 8





## FINISHING THE INSTALLATION

- After completing the electrical connection at the mounting bracket terminal block, connect the ceiling fan wiring via the quick connector plug.
- Cover the mounting bracket with the canopy. Ensure all electrical wiring is tucked inside the canopy and that the wires are not damaged during this step. Secure the canopy to the hanger bracket using the screws provided. Fig. 9

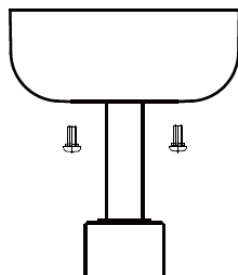


Fig. 9

## USING YOUR CEILING FAN

### FAN WALL CONTROL

Turn on the power and check the operation of the fan.

- OFF Position – fan off
- 3rd Position – low fan speed
- 2nd Position – medium fan speed
- 1st Position – high fan speed

### Light Control

- Toggle Switch – on/off

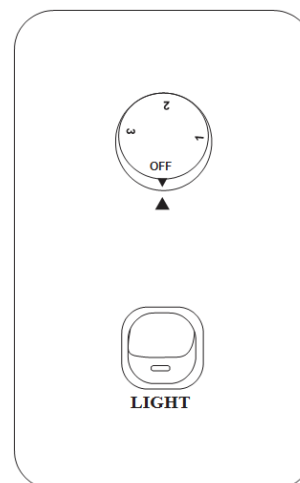


Fig. 10

### REVERSE FUNCTION

Your ceiling fan can operate either in fan mode or reverse fan mode.

**SUMMER Mode:** The reverse switch shall be in the “down” (SUMMER) position to make the fan rotate in the anticlockwise direction. The airflow will be directed downwards, for cooling in summer.

**WINTER Mode:** The reverse switch shall be in the “up” (WINTER) position to make the fan rotate in clockwise direction. The airflow will be directed upwards, for energy conservation in winter.



The reverse switch is located in the top of the motor housing. Slide the switch to the LEFT for summer weather operation. Slide the switch to the RIGHT for winter weather operation.

**Note:** You need a small tool to adjust the reverse switch in the top housing.

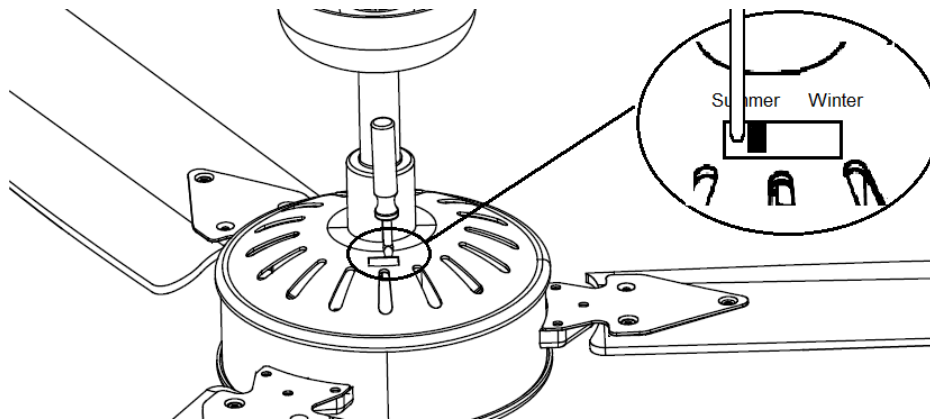


Fig. 11

## AFTER INSTALLATION

### **WOBBLE:**

NOTE: CEILING FANS TEND TO MOVE DURING OPERATION DUE TO THE FACT THAT THEY ARE MOUNTED ON A RUBBER GROMMET. IF THE FAN WAS MOUNTED RIGIDLY TO THE CEILING IT WOULD CAUSE EXCESSIVE VIBRATION. MOVEMENT OF A FEW CENTIMETRES IS QUITE ACCEPTABLE AND DOES NOT SUGGEST ANY PROBLEM.

**TO REDUCE THE FAN WOBBLE:** PLEASE CHECK THAT ALL SCREWS WHICH FIX THE MOUNTING BRACKET AND DOWN ROD ARE SECURE.

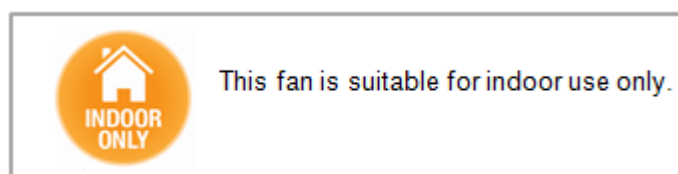
NOTE: This fan has been precision balanced at the factory and will not need to be balanced again.

### **NOISE:**

When it is quiet (especially at night) you may hear occasional small noises. Slight power fluctuations and frequency signals superimposed in the electricity for off-peak hot water control, may cause a change in fan motor noise. This is normal. Please allow a 24-hour “breaking-in” period, most noises associated with a new fan disappear during this time. The manufacturer’s warranty covers actual faults that may develop and NOT minor complaints such as hearing the motor run – All electric motors are audible to some extent.

### **CARE AND CLEANING:**

- Periodic cleaning of your ceiling fan is the only maintenance required. Use a soft brush or lint free cloth to avoid scratching the paint finish. Please turn off electricity power when you do so.
- Do not use water when cleaning your ceiling fan. It could damage the motor or the blades and create



the possibility of an electrical shock.

- The motor has a permanently lubricated ball bearing so there is no need to oil

NOTE: Always turn off the power at the mains switch before attempting to clean your fan.

## TECHNICAL INFORMATION

FAN models	Rated Voltage	Rated power (motor)	Rated power for light
56" FANS	220-240VAC	85W	N/A

## WARRANTY INFORMATION

**IN AUSTRALIA / NEW ZEALAND** – Please refer to the separated WARRANTY STATEMENT.

**IN EUROPE** – If you are a European customer please contact the retail outlet where the fan was purchased for warranty service.

